

# Record of Letter Ballot Review by TC Chapter for Procedural Review

Region/Locale: [Japan](#)

Global Technical Committee: [PI&C](#)

TC Chapter Cochairs: [Tsuyoshi Nagashima / Miraial, Daisuke Sado / Daihen, Yasuhisa Itou / Murata machinery](#)

Standards Staff: [Chie Yanagisawa](#)

	Scheduled in Background Statement	Actual
Date	<a href="#">04/15/2020</a>	<a href="#">09/10/2020</a>
Location	<a href="#">SEMI Japan office, Tokyo</a>	<a href="#">SEMI Japan office, Tokyo</a>
Reason for Change of Date and/or Location (if changed)	<a href="#">In response to Tokyo municipal governor's strong request to work at home, SEMI Japan has decided not to host any face-to-face meetings at the SEMI Japan office until the end of April. SEMI Japan also decided to postpone and reschedule PI&amp;C Japan TC Chapter Meeting on April 15.</a>	

Note: See [Regulations ¶ 9.5 Exceptions for allowable reason to change.](#)

## I. Document Number and Title

Document Number	Document Title
<a href="#">6622</a>	<a href="#">New Subordinate Standard – SPECIFICATION FOR PANEL FOUP FOR 600 to 600 mm PANEL SIZE and 6 SLOTS</a>

## II. Tally

Standards staff to fill in.

Voting Tally: [As-cast tally after close of voting period](#)

Note: A minimum of 60% of the Voting Interests that have TC Members within the global technical committee that issued the Letter Ballot must return Votes. ([Regulations ¶ 9.6.2.1.1](#))

Voting Tally (with example values):

Voting Interest:	Returned Votes	Distribution	Return Rate	
Letter Ballot	<a href="#">52</a>	÷ <a href="#">80</a> =	<a href="#">65.0%</a>	≥60%
Intercommittee Ballot	<a href="#">36</a>			
Voting Interest Reject(s)	<a href="#">3</a>	Total Voters with Rejects	<a href="#">3</a>	
Voting Interest Accept(s)	<a href="#">39</a>			

Note: See [Regulations § 3.2.1](#) for definition of Voting Interest.

### III. Rejects

#### Voting Interest Reject 1 (Voting Interest Name: TEL)

#### Voter Reject 1 (Voter: Supica Mashiro/Tokyo Electron Ltd.)

#### Negative 1

<b>Negative</b>	Referenced Section/ Paragraph	*TF/TC Chapter to fill in, including text in the ballot if necessary.		
		Procedural issue		
<b>Negative</b>	Negative Text	*Original complete Negative text (e.g., issue, justification, suggestion) should be copied.		
		<p>"Not providing start time of the TC Chapter Meeting in which the Letter Ballot Review will" be conducted is not appropriate. This could put people from distant location (e.g., 4hours of traveling) in disadvantage for participating the Review). Essential information for all the people who intend to participate the Review to make it should be given."</p> <p>"Delay of scheduled start time or early ending in actual meeting wouldn't be a problem, as" it would not have impact on members' rights on participation.</p>		
TF input (optional)				
<b>Withdrawal (check one)</b>	<input type="checkbox"/>	No Negative withdrawal made by Voter.	GO TO "Related" subsection	
	<input checked="" type="checkbox"/>	Withdrawal document received by Standards staff on 09/04/2020.	GO TO "Final" subsection → (A)	
<b>Related</b>	<b>Motion and Reason (check one)</b>	<input type="checkbox"/>	'Related' is mutually agreed upon. (Needs no motion.)	GO TO "Persuasive" subsection
		<input type="checkbox"/>	Negative is not related. (Needs ≥2/3 votes to pass.)	
		Reason	XXXX	
	<b>Motion by/ 2<sup>nd</sup> by</b>	Name (Company)/Name (Company)		
	<b>Discussion</b>			
	<b>Result of Vote (check one)</b>	XX Y-XX N; Motion passed/failed.		
<input type="checkbox"/>		[Negative is not related.] < 2/3	GO TO "Persuasive" subsection	
<input type="checkbox"/>		2/3 ≤ [Negative is not related.]	GO TO "Final" subsection → (B)	
<b>Persuasive</b>	<b>Motion and Reason (check one)</b>	<input type="checkbox"/>	Negative is related and persuasive. (Needs >1/3 votes to pass.)	
		<input type="checkbox"/>	Negative is related and not persuasive. (Needs ≥2/3 votes to pass.)	
		Reason	XXXX	
	<b>Motion by/ 2<sup>nd</sup> by</b>	Name (Company)/Name (Company)		
	<b>Discussion</b>			
		XX Y-XX N; Motion passed/failed.		

Result of Vote (check one)	<input type="checkbox"/>	[Negative is related and persuasive.] > 1/3	Is a technical change recommended? (check one)	<input type="checkbox"/>	Y	GO TO "Address by Technical Change Option" subsection
	<input type="checkbox"/>	[Negative is related and not persuasive.] < 2/3		<input type="checkbox"/>	N	GO TO "Final" subsection → (E)
	<input type="checkbox"/>	2/3 ≤ [Negative is related and not persuasive.] < 90%	GO TO "Final" subsection → (C)			
	<input type="checkbox"/>	90% ≤ [Negative is related and not persuasive.]	GO TO "Not Significant Finding Option" subsection			
Address by Technical Change Option	<b>Technical Change Recommendations</b> Original section/paragraph number and at least one full sentence are required in "FROM" and "TO" fields.					
	1	Technical Changes	FROM: Section/Paragraph <b>XXX</b>			
			TO: Section/Paragraph <b>xxx</b>			
			Justification (if necessary)			
	2	Technical Changes	FROM: Section/Paragraph <b>XXX</b>			
			TO: Section/Paragraph <b>xxx</b>			
			Justification (if necessary)			
	Motion		Negative is addressed by the technical change(s).			
	Motion by/2 <sup>nd</sup> by		Name (Company)/Name (Company)			
	Discussion					
Result of Vote (check one)		XX Y-XX N; Motion passed/failed.				
<input type="checkbox"/>	2/3 ≤ [Negative is addressed by the technical change(s).]	GO TO "Incorporation of the Technical Change" subsection				
<input type="checkbox"/>	[Negative is not addressed by the technical change(s).] < 2/3	GO TO "Final" subsection → (E)				
Incorporation of the Technical Change	Motion		To incorporate the technical change(s).			
	Motion by/2 <sup>nd</sup> by		Name (Company)/Name (Company)			
	Discussion					
	Result of Vote (check one)		XX Y-XX N; Motion passed/failed.			
<input type="checkbox"/>	90% ≤ [Agree to incorporate.]	GO TO "Final" subsection → (F)				
<input type="checkbox"/>	[Disagree to incorporate.] > 10%	GO TO "Final" subsection → (E)				
Not Significant	This option can be used only "if the TC Chapter finds a Negative not persuasive by a vote equal to or greater than 90% of the persons voting on the action". (Regulations ¶ 9.6.1.4.5.2)					
	<input type="checkbox"/>	It is mutually agreed upon to term the Negative "not significant".				GO TO "Final" subsection → (D)

	Use of “Not significant finding option” (check one)	<input type="checkbox"/>	It is mutually agreed upon to term the Negative “significant”.	GO TO “Final” subsection → (C)
		<input type="checkbox"/>	Whether or not the Negative is “not significant” is decided by a vote.	
	Motion	The Negative is “not significant”.		
	Motion by/ 2 <sup>nd</sup> by	Name (Company)/Name (Company)		
	Vote	<input type="checkbox"/>	XX Y-XX N; Motion passed with simple majority	GO TO “Final” subsection → (D)
		<input type="checkbox"/>	XX Y-XX N; Motion failed with simple majority	GO TO “Final” subsection → (C)
Final	(check if applicable)	<input checked="" type="checkbox"/>	(A)	Withdrawn (counted under h in disposition)
		<input type="checkbox"/>	(B)	Not related (counted under i in disposition)
		<input type="checkbox"/>	(C)	Related and not persuasive (significant)
		<input type="checkbox"/>	(D)	Not significant (counted under j in disposition)
		<input type="checkbox"/>	(E)	Related and persuasive and not addressed by technical change
	<input type="checkbox"/>	(F)	Addressed by technical change (counted under k disposition)	
	(check if applicable)	<input type="checkbox"/>	Comment generated. See Section V-(ii) Comment # X.	

This table is needed for each Negative.

## Negative 2

Negative	Referenced Section/ Paragraph	*TF/TC Chapter to fill in, including text in the ballot if necessary. 1 and 2		
	Negative Text	*Original complete Negative text (e.g., issue, justification, suggestion) should be copied. Negative/ It is unclear what is different in this Subordinate Standard from the Primary Standard. Rewrite section 1 and 2 to conform PM 3.8.3.2 Justification PM requires the purpose and scope section of a Subordinate Standard to define its distinction from the Primary Standard. PM 3.8.3.2 A Subordinate Standard requires its own purpose and scope sections to define its distinction from the Primary Standard and to specify the technical area that the Standard covers and may or may not contain all of the required sections to conform to the required sections found in § 3.2.		
	TF input (optional)			
	Withdrawal (check one)	<input checked="" type="checkbox"/>	No Negative withdrawal made by Voter.	GO TO “Related” subsection
		<input type="checkbox"/>	Withdrawal document received by Standards staff on MM/DD/YYYY.	GO TO “Final” subsection → (A)
Related	Motion and Reason (check one)	<input checked="" type="checkbox"/>	‘Related’ is mutually agreed upon. (Needs no motion.)	GO TO “Persuasive” subsection
		<input type="checkbox"/>	Negative is not related. (Needs ≥2/3 votes to pass.)	
		Reason	XXXX	
	Motion by/ 2 <sup>nd</sup> by	Name (Company)/Name (Company)		

	Discussion						
	Result of Vote (check one)	XX Y-XX N; Motion passed/failed.					
		<input type="checkbox"/>	[Negative is not related.] < 2/3	GO TO "Persuasive" subsection			
		<input type="checkbox"/>	2/3 ≤ [Negative is not related.]	GO TO "Final" subsection → (B)			
Persuasive	Motion and Reason (check one)	<input checked="" type="checkbox"/>	Negative is related and persuasive. (Needs >1/3 votes to pass.)				
		<input type="checkbox"/>	Negative is related and not persuasive. (Needs ≥2/3 votes to pass.)				
			Reason	XXXX			
	Motion by/ 2 <sup>nd</sup> by	Shoji Komatsu (Acteon) / Tsukasa Fukunaga (Shin-Etsu Polymer)					
	Discussion	none					
		Result of Vote (check one)	6 Y-0 N; Motion passed				
	<input checked="" type="checkbox"/>		[Negative is related and persuasive.] > 1/3	Is a technical change recommended? (check one)	<input checked="" type="checkbox"/>	<input type="checkbox"/>	GO TO "Address by Technical Change Option" subsection
	<input type="checkbox"/>		[Negative is related and not persuasive.] < 2/3		<input type="checkbox"/>	<input type="checkbox"/>	GO TO "Final" subsection → (E)
	<input type="checkbox"/>		2/3 ≤ [Negative is related and not persuasive.] < 90%	GO TO "Final" subsection → (C)			
	<input type="checkbox"/>		90% ≤ [Negative is related and not persuasive.]	GO TO "Not Significant Finding Option" subsection			
Address by Technical Change Option	<b>Technical Change Recommendations</b> Original section/paragraph number and at least one full sentence are required in "FROM" and "TO" fields.						
	1	<b>FROM: Section/Paragraph 1.1</b> 1.1 The purpose of this Document is to establish basic physical dimensions for the Panel FOUP intended to be used to transport and store Panels.					
		<b>TO: Section/Paragraph 1.1</b> 1.1 <del>The This specification is part of a suite of standards purpose of this Document is</del> to establish basic physical dimensions for the Panel FOUP intended to be used to transport and store Panels.					
		<b>Justification (if necessary)</b>					
	2	<b>FROM: Section/Paragraph 2.1</b> 2.1 This Document specifies the Panel FOUPs by the relevant SEMI Standard (SEMI Draft Document 6618) for 600 mm × 600 mm panel and 6 slots.					
<b>TO: Section/Paragraph 2.1</b> 2.1 <u>This document specifies the dimensions that are specific to the combination of 6-slots Panel FOUP for 600 mm x 600 mm panel. Common dimensions are defined in the Primary Standard</u> <del>This Document specifies the Panel FOUPs by the relevant SEMI Standard (SEMI Draft Document 6618) for 600 mm × 600 mm panel and 6 slots.</del>							

		<b>Justification (if necessary)</b>	
	<b>Motion</b>	Negative is addressed by the technical change(s).	
	<b>Motion by/2<sup>nd</sup> by</b>	Shoji Komatsu (Acteon) / Tsukasa Fukunaga (Shin-Etsu Polymer)	
	<b>Discussion</b>	none	
	<b>Result of Vote (check one)</b>	6 Y-0 N; Motion passed	
		<input checked="" type="checkbox"/>	2/3 ≤ [Negative is addressed by the technical change(s).] GO TO “Incorporation of the Technical Change” subsection
		<input type="checkbox"/>	[Negative is not addressed by the technical change(s).] < 2/3 GO TO “Final” subsection → (E)
<b>Incorporation of the Technical Change</b>	<b>Motion</b>	To incorporate the technical change(s).	
	<b>Motion by/2<sup>nd</sup> by</b>	Shoji Komatsu (Acteon) / Tsukasa Fukunaga (Shin-Etsu Polymer)	
	<b>Discussion</b>	none	
	<b>Result of Vote (check one)</b>	6Y-0 N; Motion passed	
<input checked="" type="checkbox"/>		90% ≤ [Agree to incorporate.] GO TO “Final” subsection → (F)	
<input type="checkbox"/>		[Disagree to incorporate.] > 10% GO TO “Final” subsection → (E)	
<b>Not Significant Finding Option</b>	This option can be used only “if the TC Chapter finds a Negative not persuasive by a vote equal to or greater than 90% of the persons voting on the action”. (Regulations ¶ 9.6.1.4.5.2)		
	<b>Use of “Not significant finding option” (check one)</b>	<input type="checkbox"/>	It is mutually agreed upon to term the Negative “not significant”. GO TO “Final” subsection → (D)
		<input type="checkbox"/>	It is mutually agreed upon to term the Negative “significant”. GO TO “Final” subsection → (C)
		<input type="checkbox"/>	Whether or not the Negative is “not significant” is decided by a vote.
	<b>Motion</b>	The Negative is “not significant”.	
	<b>Motion by/ 2<sup>nd</sup> by</b>	Name (Company)/Name (Company)	
	<b>Vote</b>	<input type="checkbox"/>	XX Y-XX N; Motion passed with simple majority GO TO “Final” subsection → (D)
		<input type="checkbox"/>	XX Y-XX N; Motion failed with simple majority GO TO “Final” subsection → (C)
<b>Final</b>	<b>(check if applicable)</b>	<input type="checkbox"/>	(A) Withdrawn (counted under h in disposition)
		<input type="checkbox"/>	(B) Not related (counted under i in disposition)
		<input type="checkbox"/>	(C) Related and not persuasive (significant)
		<input type="checkbox"/>	(D) Not significant (counted under j in disposition)
		<input type="checkbox"/>	(E) Related and persuasive and not addressed by technical change DOCUMENT FAILS
		<input checked="" type="checkbox"/>	(F) Addressed by technical change (counted under k disposition)
	<b>(check if applicable)</b>	<input type="checkbox"/>	Comment generated. See Section V-(ii) Comment # X.

### Negative 3

Negative	Referenced Section/ Paragraph	<b>*TF/TC Chapter to fill in, including text in the ballot if necessary.</b>				
	Negative Text	2.1 <b>*Original complete Negative text (e.g., issue, justification, suggestion) should be copied.</b> Negative/ Unpublished Document shall not be referred Suggestion Referring to “the Primary Standard” should be OK as this Document is under development as a Subordinate Standard to a specific Primary Standard.				
TF input (optional)						
Withdrawal (check one)	<input checked="" type="checkbox"/>	No Negative withdrawal made by Voter.		GO TO “Related” subsection		
	<input type="checkbox"/>	Withdrawal document received by Standards staff on MM/DD/YYYY.		GO TO “Final” subsection → (A)		
Related	Motion and Reason (check one)	<input checked="" type="checkbox"/>	‘Related’ is mutually agreed upon. (Needs no motion.)		GO TO “Persuasive” subsection	
		<input type="checkbox"/>	Negative is not related. (Needs ≥2/3 votes to pass.)			
		Reason	XXXX			
	Motion by/ 2 <sup>nd</sup> by	Name (Company)/Name (Company)				
	Discussion					
Result of Vote (check one)	XX Y-XX N; Motion passed/failed.					
	<input type="checkbox"/>	[Negative is not related.] < 2/3			GO TO “Persuasive” subsection	
	<input type="checkbox"/>	2/3 ≤ [Negative is not related.]			GO TO “Final” subsection → (B)	
Persuasive	Motion and Reason (check one)	<input checked="" type="checkbox"/>	Negative is related and persuasive. (Needs >1/3 votes to pass.)			
		<input type="checkbox"/>	Negative is related and not persuasive. (Needs ≥2/3 votes to pass.)			
		Reason	XXXX			
	Motion by/ 2 <sup>nd</sup> by	Shoji Komatsu (Acteon) / Tsukasa Fukunaga (Shin-Etsu Polymer)				
	Discussion	none				
Result of Vote (check one)	6 Y-0 N; Motion passed					
	<input checked="" type="checkbox"/>	[Negative is related and persuasive.] > 1/3	Is a technical change recommended? (check one)	<input checked="" type="checkbox"/>	<input type="checkbox"/>	GO TO “Address by Technical Change Option” subsection
	<input type="checkbox"/>	[Negative is related and not persuasive.] < 2/3		<input type="checkbox"/>	<input type="checkbox"/>	GO TO “Final” subsection → (E)
<input type="checkbox"/>	2/3 ≤ [Negative is related and not persuasive.] < 90%		GO TO “Final” subsection → (C)			

		90% ≤ [Negative is related and not persuasive.]	GO TO “Not Significant Finding Option” subsection	
Address by Technical Change Option	<b>Technical Change Recommendations</b> Original section/paragraph number and at least one full sentence are required in “FROM” and “TO” fields.			
	1	FROM: Section/Paragraph 2.1 2.1 This Document specifies the Panel FOUPs by the relevant SEMI Standard (SEMI Draft Document 6618) for 600 mm × 600 mm panel and 6 slots.		
		TO: Section/Paragraph 2.1 2.1 <u>This document specifies the dimensions that are specific to the combination of 6-slots Panel FOUP for 600 mm x 600 mm panel. Common dimensions are defined in the Primary Standard. This Document specifies the Panel FOUPs by the relevant SEMI Standard (SEMI Draft Document 6618) for 600 mm × 600 mm panel and 6 slots.</u>		
		Justification (if necessary)		
	2	FROM: Section/Paragraph XXX		
		TO: Section/Paragraph xxx		
		Justification (if necessary)		
	Motion	Negative is addressed by the technical change(s).		
	Motion by/2 <sup>nd</sup> by	Shoji Komatsu (Acteon) / Tsukasa Fukunaga (Shin-Etsu Polymer)		
	Discussion	the technical change that was incorporated to address Negative 2 can also address this Negative.		
Result of Vote (check one)	6 Y-0 N; Motion passed			
	<input checked="" type="checkbox"/>	2/3 ≤ [Negative is addressed by the technical change(s).]	GO TO “Incorporation of the Technical Change” subsection	
	<input type="checkbox"/>	[Negative is not addressed by the technical change(s).] < 2/3	GO TO “Final” subsection → (E)	
Incorporation of the Technical Change	Motion	To incorporate the technical change(s).		
	Motion by/2 <sup>nd</sup> by	Shoji Komatsu (Acteon) / Tsukasa Fukunaga (Shin-Etsu Polymer)		
	Discussion	none		
	Result of Vote (check one)	6 Y-0 N; Motion passed		
<input checked="" type="checkbox"/>		90% ≤ [Agree to incorporate.]	GO TO “Final” subsection → (F)	
	<input type="checkbox"/>	[Disagree to incorporate.] > 10%	GO TO “Final” subsection → (E)	
Not Significant Finding Option	This option can be used only “if the TC Chapter finds a Negative not persuasive by a vote equal to or greater than 90% of the persons voting on the action”. (Regulations ¶ 9.6.1.4.5.2)			
	Use of “Not significant finding option” (check one)	<input type="checkbox"/>	It is mutually agreed upon to term the Negative “not significant”. GO TO “Final” subsection → (D)	
		<input type="checkbox"/>	It is mutually agreed upon to term the Negative “significant”. GO TO “Final” subsection → (C)	
		Whether or not the Negative is “not significant” is decided by a vote.		



	<b>Motion</b>	The Negative is “not significant”.	
	<b>Motion by/ 2<sup>nd</sup> by</b>	Name (Company)/Name (Company)	
	<b>Vote</b>	<input type="checkbox"/>	XX Y-XX N; Motion passed with simple majority GO TO “Final” subsection → (D)
		<input type="checkbox"/>	XX Y-XX N; Motion failed with simple majority GO TO “Final” subsection → (C)
<b>Final</b>	<b>(check if applicable)</b>	<input type="checkbox"/>	(A) Withdrawn (counted under h in disposition)
		<input type="checkbox"/>	(B) Not related (counted under i in disposition)
		<input type="checkbox"/>	(C) Related and not persuasive (significant)
		<input type="checkbox"/>	(D) Not significant (counted under j in disposition)
		<input type="checkbox"/>	(E) Related and persuasive and not addressed by technical change DOCUMENT FAILS
	<input checked="" type="checkbox"/>	(F) Addressed by technical change (counted under k disposition)	
<b>(check if applicable)</b>	<input type="checkbox"/>	Comment generated. See Section V-(ii) Comment # X.	

This table is needed for each Negative.

### Disposition of Voting Interest Reject 1

Check only when the Document has not been failed.

3	Original number (#) of Negatives	(g)	
1	Number of Negatives withdrawn	(h)	
0	Number of Negatives found not related	(i)	
0	Number of Negatives found not significant	(j)	
2	Number of Negatives addressed by technical change (Negative becomes not significant)	(k)	
<b>Final</b>	<input checked="" type="checkbox"/>	$g - (h + i + j + k) = 0$	Reject is Not Valid and is not included in the denominator of § VI. Approval Conditions Check
	<input type="checkbox"/>	$g - (h + i + j + k) > 0$	Reject is included in the denominator of § VI. Approval Conditions Check
	<input type="checkbox"/>	Reject without a Negative	Not Valid

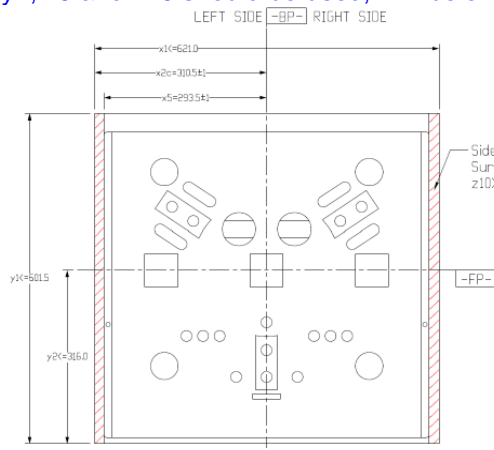
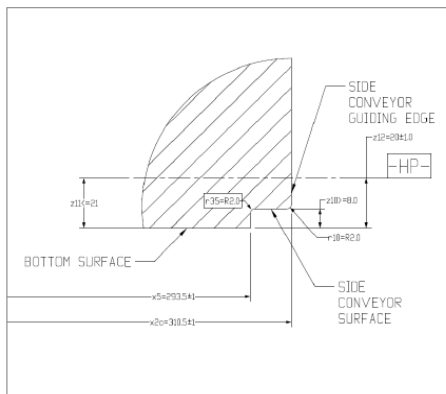
This table is needed for each Voting Interest Reject.

Note: If all of the Negatives included with a Reject Vote are withdrawn, determined to be not related, or determined to be not significant, the Reject Vote is not valid. (Regulations ¶ 9.4.3.3)

Note: A Negative addressed by a technical change is automatically considered to be not significant. (Regulations ¶ 9.6.1.4.5.2)

**Voting Interest Reject 2 (Voting Interest Name: Middlesex)**  
**Voter Reject 1 (Voter: George W Horn/Middlesex Industries SA)**

**Negative 1**

<b>Negative</b>	<b>Referenced Section/ Paragraph</b>	*TF/TC Chapter to fill in, including text in the ballot if necessary.	
	<b>Negative Text</b>	<p>Paragraph 15 and Figure 18 and 19</p> <p>*Original complete Negative text (e.g., issue, justification, suggestion) should be copied.</p> <p>Please see negative of doc. 6618 also apply here          --&lt;Doc.6618&gt;--</p> <p>This negative ballot accepts the proposed standard in its entirety, without exceptions as is, provided, that the paragraph 15.2.1 and figures 18 and 19 are added to the standard, as below.</p> <p>Rationale: In this company's 50 years of experience, performing 100 Million plus annual moves with its conveyors, the above additions to the standard will enable it to continue serving its customers with guaranteed clean, high flow rate, long distance conveyors. This follows the physical necessities of avoiding conveyor rail transport on a shared carrier bottom surface (as have learned with the 300 mm FOUP), minimizing conveyor and carrier contacts, and the necessities of safety at high acceleration and speed of the carrier. The conveyor rail designs as included in the existing proposed standard, may be adequate for low speed, short distance moves of the carrier, in and in vicinity of process tool sets with handling means, and thus we confirm their acceptance.</p> <p>15.2.1 Conveyor Rail Surface Dimensions – For Clean transport applications and applications exceeding intra tool move dimensions the Conveyor rail as described in 15.2 is inadequate due to its inherent tendency for contaminant transfer (unprotected transport surface = bottom stacking surface), and its inadequate guiding edge height (jumping the track due to mass and velocity of movement). Consequently the conveyor rail defined by x1, y1, x5 and z10 should be used, z12 below the HP. Fig.18a and Fig 19a.</p> <div style="display: flex; justify-content: space-around;"> <div style="text-align: center;">  <p><b>Figure 18a</b> Side Conveyor Rail Locations</p> </div> <div style="text-align: center;">  <p><b>Figure 19a</b> Side Conveyor Rail - Section at FP</p> </div> </div>	
<b>TF input (optional)</b>			
<b>Related</b>	<b>Withdrawal (check one)</b>	<input type="checkbox"/> No Negative withdrawal made by Voter.	GO TO "Related" subsection
	<input checked="" type="checkbox"/>	Withdrawal document received by Standards staff on 05/07/2020	GO TO "Final" subsection → (A)
<b>Related</b>	<b>Motion and Reason (check one)</b>	<input type="checkbox"/> 'Related' is mutually agreed upon. (Needs no motion.)	GO TO "Persuasive" subsection
	<input type="checkbox"/>	Negative is not related. (Needs ≥2/3 votes to pass.)	

		Reason	XXXX			
	Motion by/ 2 <sup>nd</sup> by	Name (Company)/Name (Company)				
	Discussion					
	Result of Vote (check one)	XX Y-XX N; Motion passed/failed.				
		[Negative is not related.] < 2/3	GO TO "Persuasive" subsection			
		2/3 ≤ [Negative is not related.]	GO TO "Final" subsection → (B)			
Persuasive	Motion and Reason (check one)	Negative is related and persuasive. (Needs >1/3 votes to pass.)				
		Negative is related and not persuasive. (Needs ≥2/3 votes to pass.)				
		Reason	XXXX			
	Motion by/ 2 <sup>nd</sup> by	Name (Company)/Name (Company)				
	Discussion					
	Result of Vote (check one)	XX Y-XX N; Motion passed/failed.				
		[Negative is related and persuasive.] > 1/3	Is a technical change recommended? (check one)		Y	GO TO "Address by Technical Change Option" subsection
[Negative is related and not persuasive.] < 2/3				N	GO TO "Final" subsection → (E)	
2/3 ≤ [Negative is related and not persuasive.] < 90%		GO TO "Final" subsection → (C)				
90% ≤ [Negative is related and not persuasive.]		GO TO "Not Significant Finding Option" subsection				
Address by Technical Change Option	<b>Technical Change Recommendations</b> Original section/paragraph number and at least one full sentence are required in "FROM" and "TO" fields.					
	1	FROM: Section/Paragraph 1.1				
		TO: Section/Paragraph 1.1				
		Justification (if necessary)				
	2	FROM: Section/Paragraph XXX				
		TO: Section/Paragraph xxx				
Justification (if necessary)						

	<b>Motion</b>	Negative is addressed by the technical change(s).		
	<b>Motion by/2<sup>nd</sup> by</b>	Name (Company)/Name (Company)		
	<b>Discussion</b>			
	<b>Result of Vote (check one)</b>	<input type="checkbox"/>	2/3 ≤ [Negative is addressed by the technical change(s).]	GO TO “Incorporation of the Technical Change” subsection
<input type="checkbox"/>		[Negative is not addressed by the technical change(s).] < 2/3	GO TO “Final” subsection → (E)	
<b>Incorporation of the Technical Change</b>	<b>Motion</b>	To incorporate the technical change(s).		
	<b>Motion by/2<sup>nd</sup> by</b>	Name (Company)/Name (Company)		
	<b>Discussion</b>			
	<b>Result of Vote (check one)</b>	<input type="checkbox"/>	90% ≤ [Agree to incorporate.]	GO TO “Final” subsection → (F)
<input type="checkbox"/>		[Disagree to incorporate.] > 10%	GO TO “Final” subsection → (E)	
<b>Not Significant Finding Option</b>	<b>This option can be used only “if the TC Chapter finds a Negative not persuasive by a vote equal to or greater than 90% of the persons voting on the action”. (Regulations ¶ 9.6.1.4.5.2)</b>			
	<b>Use of “Not significant finding option” (check one)</b>	<input type="checkbox"/>	It is mutually agreed upon to term the Negative “not significant”.	GO TO “Final” subsection → (D)
		<input type="checkbox"/>	It is mutually agreed upon to term the Negative “significant”.	GO TO “Final” subsection → (C)
		<input type="checkbox"/>	Whether or not the Negative is “not significant” is decided by a vote.	
	<b>Motion</b>	The Negative is “not significant”.		
<b>Motion by/ 2<sup>nd</sup> by</b>	Name (Company)/Name (Company)			
	<b>Vote</b>	<input type="checkbox"/>	XX Y-XX N; Motion passed with simple majority	GO TO “Final” subsection → (D)
		<input type="checkbox"/>	XX Y-XX N; Motion failed with simple majority	GO TO “Final” subsection → (C)
<b>Final</b>	<b>(check if applicable)</b>	<input checked="" type="checkbox"/>	(A)	Withdrawn (counted under h in disposition)
		<input type="checkbox"/>	(B)	Not related (counted under i in disposition)
		<input type="checkbox"/>	(C)	Related and not persuasive (significant)
		<input type="checkbox"/>	(D)	Not significant (counted under j in disposition)
		<input type="checkbox"/>	(E)	Related and persuasive and not addressed by technical change
	<input type="checkbox"/>	(F)	Addressed by technical change (counted under k disposition)	
<b>(check if applicable)</b>	<input type="checkbox"/>	Comment generated. See Section V-(ii) Comment # X.		

This table is needed for each Negative.

## Disposition of Voting Interest Reject 2

Check only when the Document has not been failed.

1	Original number (#) of Negatives		(g)
1	Number of Negatives withdrawn		(h)
0	Number of Negatives found not related		(i)
0	Number of Negatives found not significant		(j)
0	Number of Negatives addressed by technical change <b>(Negative becomes not significant)</b>		(k)
Final	<input checked="" type="checkbox"/>	$g - (h + i + j + k) = 0$	Reject is Not Valid and is not included in the denominator of § VI. <b>Approval Conditions Check</b>
	<input type="checkbox"/>	$g - (h + i + j + k) > 0$	Reject is included in the denominator of § VI. <b>Approval Conditions Check</b>
	<input type="checkbox"/>	Reject without a Negative	Not Valid

This table is needed for each Voting Interest Reject.

Note: If all of the Negatives included with a Reject Vote are withdrawn, determined to be not related, or determined to be not significant, the Reject Vote is not valid. (Regulations ¶ 9.4.3.3)

Note: A Negative addressed by a technical change is automatically considered to be not significant. (Regulations ¶ 9.6.1.4.5.2)

## Voting Interest Reject 3 (Voting Interest Name: NCAP)

Voter Reject 1 (Voter: Xu Yan/National Center for Advanced Packaging Co., Ltd)

### Negative 1

Negative	Referenced Section/ Paragraph	*TF/TC Chapter to fill in, including text in the ballot if necessary. NONE	
	Negative Text	*Original complete Negative text (e.g., issue, justification, suggestion) should be copied. Transportation cost and box cost will increase	
TF input (optional)			
Withdrawal (check one)	<input type="checkbox"/>	No Negative withdrawal made by Voter.	GO TO "Related" subsection
	<input checked="" type="checkbox"/>	Withdrawal document received by Standards staff on August/27/2020	GO TO "Final" subsection → (A)
Related	Motion and Reason (check one)	<input type="checkbox"/>	'Related' is mutually agreed upon. (Needs no motion.) GO TO "Persuasive" subsection
		<input type="checkbox"/>	Negative is not related. (Needs ≥2/3 votes to pass.)
	Reason	XXXX	
Motion by/ 2 <sup>nd</sup> by	Name (Company)/Name (Company)		

	Discussion				
	Result of Vote (check one)	XX Y-XX N; Motion passed/failed.			
		[Negative is not related.] < 2/3	GO TO "Persuasive" subsection		
		2/3 ≤ [Negative is not related.]	GO TO "Final" subsection → (B)		
Persuasive	Motion and Reason (check one)	Negative is related and persuasive. (Needs >1/3 votes to pass.)			
		Negative is related and not persuasive. (Needs ≥2/3 votes to pass.)			
		Reason			
	Motion by/ 2 <sup>nd</sup> by	Name (Company)/Name (Company)			
	Discussion				
		Result of Vote (check one)	XX Y-XX N; Motion passed/failed.		
	[Negative is related and persuasive.] > 1/3		Is a technical change recommended? (check one)	Y	GO TO "Address by Technical Change Option" subsection
	[Negative is related and not persuasive.] < 2/3			N	GO TO "Final" subsection → (E)
	2/3 ≤ [Negative is related and not persuasive.] < 90%		GO TO "Final" subsection → (C)		
	90% ≤ [Negative is related and not persuasive.]		GO TO "Not Significant Finding Option" subsection		
Address by Technical Change Option	<b>Technical Change Recommendations</b> Original section/paragraph number and at least one full sentence are required in "FROM" and "TO" fields.				
	1	FROM: Section/Paragraph 1.1			
		TO: Section/Paragraph 1.1			
		Justification (if necessary)			
	2	FROM: Section/Paragraph XXX			
		TO: Section/Paragraph xxx			
		Justification (if necessary)			
Motion		Negative is addressed by the technical change(s).			
Motion by/2 <sup>nd</sup> by		Name (Company)/Name (Company)			
Discussion					

<b>Result of Vote (check one)</b>		XX Y-XX N; Motion passed/failed.			
		<input type="checkbox"/>	2/3 ≤ [Negative is addressed by the technical change(s).] GO TO “Incorporation of the Technical Change” subsection		
		<input type="checkbox"/>	[Negative is not addressed by the technical change(s).] < 2/3 GO TO “Final” subsection → (E)		
<b>Incorporation of the Technical Change</b>	<b>Motion</b>	To incorporate the technical change(s).			
	<b>Motion by/2<sup>nd</sup> by</b>	Name (Company)/Name (Company)			
	<b>Discussion</b>				
	<b>Result of Vote (check one)</b>		XX Y-XX N; Motion passed/failed.		
<input type="checkbox"/>			90% ≤ [Agree to incorporate.] GO TO “Final” subsection → (F)		
<input type="checkbox"/>			[Disagree to incorporate.] > 10% GO TO “Final” subsection → (E)		
<b>Not Significant Finding Option</b>	This option can be used only “if the TC Chapter finds a Negative not persuasive by a vote equal to or greater than 90% of the persons voting on the action”. (Regulations ¶ 9.6.1.4.5.2)				
	<b>Use of “Not significant finding option” (check one)</b>	<input type="checkbox"/>	It is mutually agreed upon to term the Negative “not significant”. GO TO “Final” subsection → (D)		
		<input type="checkbox"/>	It is mutually agreed upon to term the Negative “significant”. GO TO “Final” subsection → (C)		
		<input type="checkbox"/>	Whether or not the Negative is “not significant” is decided by a vote.		
	<b>Motion</b>	The Negative is “not significant”.			
<b>Motion by/ 2<sup>nd</sup> by</b>	Name (Company)/Name (Company)				
<b>Vote</b>	<input type="checkbox"/>	XX Y-XX N; Motion passed with simple majority GO TO “Final” subsection → (D)			
	<input type="checkbox"/>	XX Y-XX N; Motion failed with simple majority GO TO “Final” subsection → (C)			
<b>Final</b>	<b>(check if applicable)</b>	<input checked="" type="checkbox"/>	(A)	Withdrawn (counted under h in disposition)	
		<input type="checkbox"/>	(B)	Not related (counted under i in disposition)	
		<input type="checkbox"/>	(C)	Related and not persuasive (significant)	
		<input type="checkbox"/>	(D)	Not significant (counted under j in disposition)	
		<input type="checkbox"/>	(E)	Related and persuasive and not addressed by technical change	DOCUMENT FAILS
		<input type="checkbox"/>	(F)	Addressed by technical change (counted under k disposition)	
	<b>(check if applicable)</b>	<input type="checkbox"/>	Comment generated. See Section V-(ii) Comment # X.		

This table is needed for each Negative.

### Disposition of Voting Interest Reject 3

Check only when the Document has not been failed.

1	Original number (#) of Negatives		(g)
1	Number of Negatives withdrawn		(h)
0	Number of Negatives found not related		(i)
0	Number of Negatives found not significant		(j)
0	Number of Negatives addressed by technical change <b>(Negative becomes not significant)</b>		(k)
Final	X	$g - (h + i + j + k) = 0$	Reject is Not Valid and is not included in the denominator of § VI. <b>Approval Conditions Check</b>
		$g - (h + i + j + k) > 0$	Reject is included in the denominator of § VI. <b>Approval Conditions Check</b>
		Reject without a Negative	Not Valid

This table is needed for each Voting Interest Reject.

Note: If all of the Negatives included with a Reject Vote are withdrawn, determined to be not related, or determined to be not significant, the Reject Vote is not valid. (Regulations ¶ 9.4.3.3)

Note: A Negative addressed by a technical change is automatically considered to be not significant. (Regulations ¶ 9.6.1.4.5.2)

## IV. Other Technical Issues

Note: TC Chapter may choose to address a technical issue that is not part of a Negative received on a Letter Ballot (i.e., a Comment or a reason not addressed by a Vote response) by handling it as a Negative and finding it related and technically persuasive. The TC Chapter may then fail the Document or address such technical issue by using the procedure defined in Regulations § 9.6.1.4.3 to make a technical change to the Document. (Regulations ¶ 9.6.1.4.2.5)

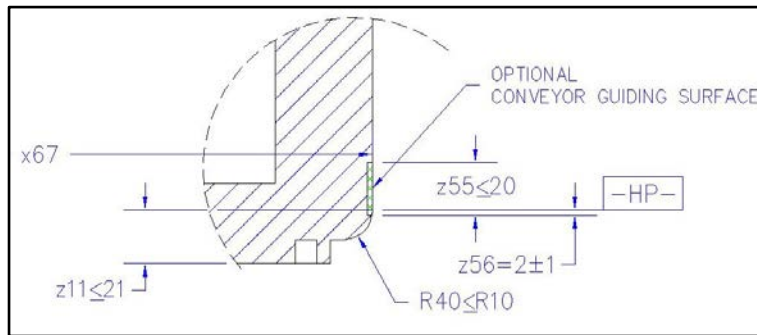
### Issue 1

Technical Issue	Origin	*TF/TC Chapter to choose Withdrawn Negative from George W Horn/Middlesex Industries SA	
	Referenced Section/ Paragraph	*TF/TC Chapter to fill in including text in the ballot as appropriate.	
		Figure A1-3 and Table A1-1	
Reason	*Original Comment text, if applicable, and problem statement, including justification and suggestion, should be copied.		
	The conveyor rail designs as included in the existing proposed standard, may be adequate for low speed, short distance moves of the carrier, in and in vicinity of process tool sets with handling means.		
Handle technical issue identified above as a Negative.			
Related	Motion and Reason (check one)	X	'Related' is mutually agreed upon. (Needs no motion.) <b>GO TO "Persuasive" subsection</b>
			Negative is not related and assigned to TF. (Needs ≥2/3 votes to pass.)
			Negative is not related and placed on agenda of current TC Chapter meeting as new business. (Needs ≥2/3 votes to pass.)



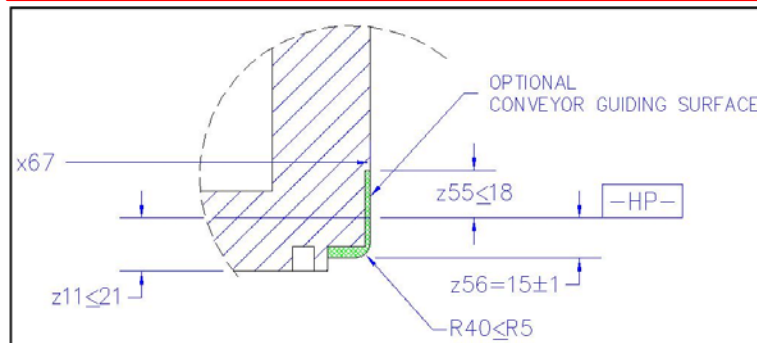
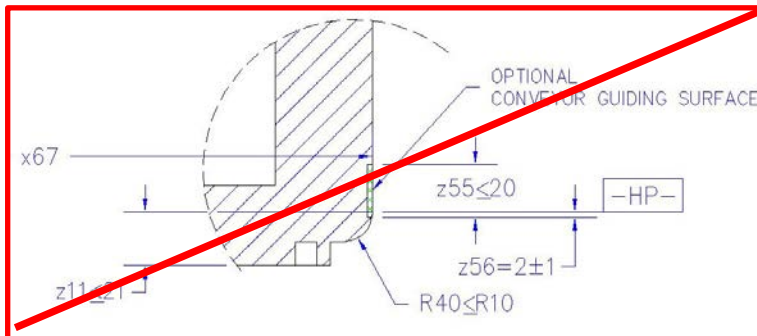
		Reason	
	<b>Motion by/ 2nd by</b>	Name (Company)/Name (Company)	
	<b>Discussion</b>		
	<b>Result of Vote (check one)</b>	XX Y-XX N; Motion passed/failed.	
		[Negative is not related.] <2/3	GO TO "Persuasive" subsection
		2/3 ≤ [Negative is not related] and assigned to TF.	GO TO "Final" subsection → (B)
	2/3 ≤ [Negative is not related] and placed on agenda of current TC Chapter meeting as new business.		
Persuasive	<b>Motion and Reason (check one)</b>	X	Negative is related and persuasive. (Needs >1/3 votes to pass.)
			Negative is related and not persuasive. (Needs ≥2/3 votes to pass.)
			Reason XXXX
	<b>Motion by/ 2nd by</b>	Shoji Komatsu (Acteon) / Tsukasa Fukunaga (Shin-Etsu Polymer)	
	<b>Discussion</b>	none	
	<b>Result of Vote (check one)</b>	6 Y-0 N; Motion passed	
X		[Negative is related and persuasive.] > 1/3	Is a technical change recommended? (check one)
		[Negative is related and not persuasive.] < 2/3	X Y
		2/3 ≤ [Negative is related and not persuasive.] < 90%	N
			GO TO "Address by Technical Change Option" subsection
			GO TO "Final" subsection → (E)
			GO TO "Final" subsection → (C)
Add Pass	<b>Technical Change Recommendations</b> Original section/paragraph number and at least one full sentence are required in "FROM" and "TO" fields.		

**FROM: Section/Paragraph Figure A1-3 and Table A1-1**



Symbol Used	Figure	Value Specified	Datum Measured From	Feature Measured To
r40	A1-3	≤10	z10	Optional conveyor guiding surface
z55	A1-3	≤20	HP	Top of optional conveyor guiding surface
z56	A1-3	2±1	HP	Bottom of optional conveyor guiding surface

**TO: Section/Paragraph Figure A1-3 and Table A1-1**



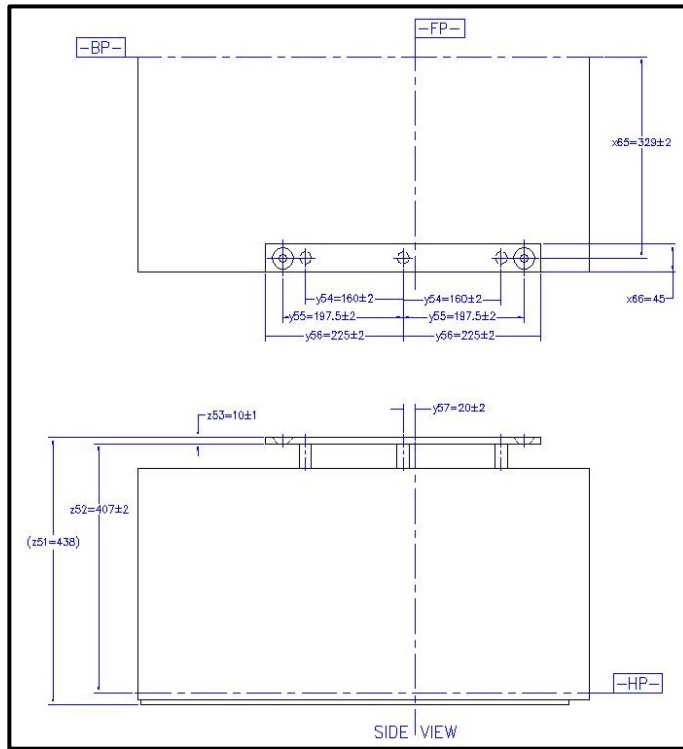
Symbol Used	Figure	Value Specified	Datum Measured From	Feature Measured To
r40	A1-3	<del>≤10</del> <u>5</u>	z10	Optional conveyor guiding surface
z55	A1-3	<del>≤20</del> <u>18</u>	HP	Top of optional conveyor guiding surface
z56	A1-3	<del>2±1</del> <u>15±1</u>	HP	Bottom of optional conveyor guiding surface

2	Justification (if necessary)		
	FROM: Section/Paragraph XXX		
	TO: Section/Paragraph xxx		
	Justification (if necessary)		
Motion		Negative is addressed by the technical change(s).	
Motion by/2 <sup>nd</sup> by		Shoji Komatsu (Acteon) / Tsukasa Fukunaga (Shin-Etsu Polymer)	
Discussion		none	
Result of Vote (check one)		6 Y-0 N; Motion passed	
		<input checked="" type="checkbox"/>	2/3 ≤ [Negative is addressed by the technical change(s).] <b>GO TO “Incorporation of the Technical Change” subsection</b>
		<input type="checkbox"/>	[Negative is not addressed by the technical change(s).] < 2/3 <b>GO TO “Final” subsection → (E)</b>
Incorporation of the Technical Change	Motion		To incorporate the technical change(s).
	Motion by/2 <sup>nd</sup> by		Shoji Komatsu (Acteon) / Tsukasa Fukunaga (Shin-Etsu Polymer)
	Discussion		none
	Result of Vote (check one)		6 Y-0 N; Motion passed
<input checked="" type="checkbox"/>			90% ≤ [Agree to incorporate.] <b>GO TO “Final” subsection → (F)</b>
		<input type="checkbox"/>	[Disagree to incorporate.] >10% <b>GO TO “Final” subsection → (E)</b>
Final	(check one)	<input type="checkbox"/>	(B) Not related
		<input type="checkbox"/>	(C) Related and not persuasive
		<input type="checkbox"/>	(E) Related and persuasive and not addressed by technical change <b>DOCUMENT FAILS</b>
		<input checked="" type="checkbox"/>	(F) Addressed by technical change
	(check if applicable)	<input type="checkbox"/>	Comment generated. See Section V-(ii) Comment # X.

## Issue 2

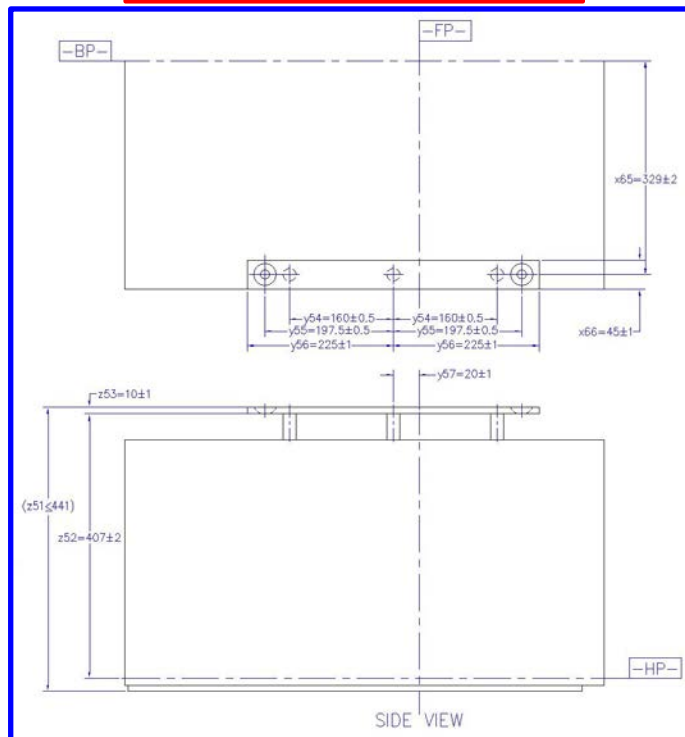
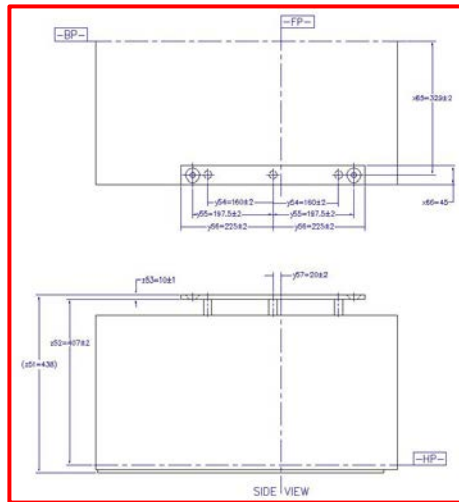
Technical Issue	Origin	*TF/TC Chapter to choose A reason not addressed by a Vote response				
	Referenced Section/ Paragraph	*TF/TC Chapter to fill in including text in the ballot as appropriate.				
		Table 1, Figure A1-1 and Table A1-1				
Reason	*Original Comment text, if applicable, and problem statement, including justification and suggestion, should be copied.					
	I found some mistakes regarding y70 in Table 1 and tolerances in Appendix 1.					
Handle technical issue identified above as a Negative.						
Related	Motion and Reason (check one)	<input checked="" type="checkbox"/>	‘Related’ is mutually agreed upon. (Needs no motion.)		GO TO “Persuasive” subsection	
		<input type="checkbox"/>	Negative is not related and assigned to TF. (Needs ≥2/3 votes to pass.)			
		<input type="checkbox"/>	Negative is not related and placed on agenda of current TC Chapter meeting as new business. (Needs ≥2/3 votes to pass.)			
		<input type="checkbox"/>	Reason			
	Motion by/ 2nd by	Name (Company)/Name (Company)				
	Discussion					
Result of Vote (check one)	XX Y-XX N; Motion passed/failed.					
	<input type="checkbox"/>	[Negative is not related.] <2/3			GO TO “Persuasive” subsection	
	<input type="checkbox"/>	2/3 ≤ [Negative is not related] and assigned to TF.			GO TO “Final” subsection → (B)	
	<input type="checkbox"/>	2/3 ≤ [Negative is not related] and placed on agenda of current TC Chapter meeting as new business.				
Motion and Reason (check one)	<input checked="" type="checkbox"/>	Negative is related and persuasive. (Needs >1/3 votes to pass.)				
	<input type="checkbox"/>	Negative is related and not persuasive. (Needs ≥2/3 votes to pass.)				
	<input type="checkbox"/>	Reason	XXXX			
	Motion by/ 2nd by	Shoji Komatsu (Acteon) / Tsukasa Fukunaga (Shin-Etsu Polymer)				
Discussion	none					
Result of Vote (check one)	6 Y-0 N; Motion passed					
	<input checked="" type="checkbox"/>	[Negative is related and persuasive.] > 1/3	Is a technical change recommended? (check one)	<input checked="" type="checkbox"/>	Y	GO TO “Address by Technical Change Option” subsection
	<input type="checkbox"/>	[Negative is related and not persuasive.] < 2/3		<input type="checkbox"/>	N	GO TO “Final” subsection → (E)
	<input type="checkbox"/>	2/3 ≤ [Negative is related and not persuasive.] < 90%		GO TO “Final” subsection → (C)		
Add Pass	Technical Change Recommendations Original section/paragraph number and at least one full sentence are required in “FROM” and “TO” fields.					

FROM: Section/Paragraph **Figure A1-1 and Table A1-1**



<i>Symbol Used</i>	<i>Figure</i>	<i>Value Specified</i>	<i>Datum Measured From</i>	<i>Feature Measured To</i>
x65	A1-1	287±1	BP	Center line of automation flange
y57	A1-1	20	FP	Location of flange mid-point

TO: Section/Paragraph **Figure A1-1 and Table A1-1**



Symbol Used	Figure	Value Specified	Datum Measured From	Feature Measured To
x65	A1-1	287±1.2	BP	Center line of automation flange
y57	A1-1	20 ±1	FP	Location of flange mid-point

**Justification (if necessary)**

		<b>FROM: Section/Paragraph Table1</b>					
		<i>Symbol Used</i>	<i>Referenced Figure</i>	<i>Value Specified</i>	<i>Datum Measured From</i>	<i>Feature Measured To</i>	
		y70	27, 29	351.5	FP	Theoretically correct panel or process carrier rear end position	
2		<b>TO: Section/Paragraph Table 1</b>					
		y70	27, 29	<del>351.5</del> 357.5	FP	Theoretically correct panel or process carrier rear end position	
		<b>Justification (if necessary)</b>					
<b>Motion</b>		Negative is addressed by the technical change(s).					
<b>Motion by/2<sup>nd</sup> by</b>		Shoji Komatsu (Acteon) / Tsukasa Fukunaga (Shin-Etsu Polymer)					
<b>Discussion</b>		none					
<b>Result of Vote (check one)</b>		6 Y- 0N; Motion passed					
		<input checked="" type="checkbox"/>	2/3 ≤ [Negative is addressed by the technical change(s).]			GO TO "Incorporation of the Technical Change" subsection	
		<input type="checkbox"/>	[Negative is not addressed by the technical change(s).] < 2/3			GO TO "Final" subsection → (E)	
<b>Incorporation of the Technical Change</b>	<b>Motion</b>		To incorporate the technical change(s).				
	<b>Motion by/2<sup>nd</sup> by</b>		Shoji Komatsu (Acteon) / Tsukasa Fukunaga (Shin-Etsu Polymer)				
	<b>Discussion</b>		none				
	<b>Result of Vote (check one)</b>		6 Y- 0 N; Motion passed				
			<input checked="" type="checkbox"/>	90% ≤ [Agree to incorporate.]			GO TO "Final" subsection → (F)
		<input type="checkbox"/>	[Disagree to incorporate.] >10%			GO TO "Final" subsection → (E)	
<b>Final</b>	<b>(check one)</b>	<input type="checkbox"/>	(B)	Not related			
		<input type="checkbox"/>	(C)	Related and not persuasive			
		<input type="checkbox"/>	(E)	Related and persuasive and not addressed by technical change		DOCUMENT FAILS	
		<input checked="" type="checkbox"/>	(F)	Addressed by technical change			
	<b>(check if applicable)</b>	<input type="checkbox"/>	Comment generated. See Section V-(ii) Comment # X.				

## V. Comments

### V- (i) Voters' Comments

#### Commenter 1 (Larry Hartsough/UA Associates) - Comment 1

Comment	*TF/TC Chapter to fill in section/paragraph #, if necessary.		
	Comments: 1. The Referenced Documents and Standards section and the Terminology section are not required; see PM3.8.3.2. They could be omitted from the Subordinate Specifications if the TC Chapter so desires. Unless, of course, there are refs/terms used there that are not in the Primary. Removal could be considered a Type 1 editorial change, I think.		
Action	The TC Chapter agreed to do one of the following actions.		
	*No motion is required in this step.		
	<input type="checkbox"/>	Already addressed by Commenter #, Comment #	
	<input type="checkbox"/>	No further action was taken by the TC Chapter.	
	<input type="checkbox"/>	Refer to the TF for more consideration.	
	<input type="checkbox"/>	New Business	
	<input checked="" type="checkbox"/>	Editorial Change	
	Options for editorial change (check one)	<input type="checkbox"/>	<b>Case 1: No vote in this section:</b> <i>To be included and voted on as a group in § VI. Editorial Changes Other than Those Voted on in § V.</i>
		<input checked="" type="checkbox"/>	<b>Case 2: Voted in this section:</b> <b>Original section number and at least one full sentence are required in "FROM" and "TO" fields.</b>
	1	<b>FROM: Section/Paragraph 3, 3.1 and NOTE 1</b> <b>3. Referenced Standards and Documents</b> 3.1 SEMI Standards and Safety Guidelines SEMI 3D20 — Specification for Panel Characteristics for Panel Level Packaging (PLP) Applications NOTE 1: The SEMI Physical Interfaces & Carriers Global Technical Committee is developing a Specification for Panel FOUP and Panel FOUP Load Ports intended to be used in conjunction with this Document.	
		<b>TO: Section/Paragraph 3, 3.1 and NOTE 1</b> <del>3. Referenced Standards and Documents</del> <del>3.1 SEMI Standards and Safety Guidelines</del> <del>SEMI 3D20 — Specification for Panel Characteristics for Panel Level Packaging (PLP) Applications</del> <del>NOTE 1: The SEMI Physical Interfaces &amp; Carriers Global Technical Committee is developing a Specification for Panel FOUP and Panel FOUP Load Ports intended to be used in conjunction with this Document.</del>	
	Justification (If necessary)		
2	FROM: Section/Paragraph		
Editorial Changes			



	TO: Section/Paragraph
	Justification (If necessary)
<b>Motion</b>	To approve above editorial change(s)
<b>Motion by/2<sup>nd</sup> by</b>	Shoji Komatsu (Acteon) / Tsukasa Fukunaga (Shin-Etsu Polymer)
<b>Discussion</b>	There was a discussion if it was OK to delete Terminology section by the editorial change during Ballot Review. The TC Chapter chose safer option.
<b>Vote</b>	6 Y-0 N; Motion passed

*This table is needed for each Comment accompanied a Vote*

### V-(ii) Comments Created by Handling Negative

none

### VI. Editorial Changes Other than Those Voted on in § V

none

## VII. Approval Conditions Check

### VII. - (i). Approval Rate

**APPROVAL CONDITION 1:** All Negatives have been discussed and were withdrawn, found not related, found not persuasive, or addressed by a technical change. (*Regulations ¶ 9.6.2.1.2*)

**APPROVAL CONDITION 2:** At least 90% of the sum of valid Voting Interest Accept and Voting Interest Reject Votes must be Accept. (*Regulations ¶ 9.6.2.1.3*)

**Note:** If both approval conditions are not satisfied, the Document fails.

		Accepts		(Accepts + Valid Rejects)			
Approval Rate	=	39	/	39	=	100.0%	≥90%

### VII. – (ii) Approval Level (check one)

**Note:** See *Regulations § 9.6.2* for further information.

- Globally Approved (No Ratification Ballot needed):**  
The Letter Ballot meets the Letter Ballot approval conditions for the global technical committee.
- Need a Ratification Ballot:**  
The Letter Ballot meets the Letter Ballot approval conditions for the TC Chapter and a Ratification Ballot will be issued to validate technical changes.

## VIII. Safety Check

**Note:** See *Regulations § 15* for further information.

Motion	<input checked="" type="checkbox"/>	<b>This is not a Safety Document</b> , when all safety-related information is removed, the Document is still technically sound and complete. ( <i>Regulations ¶ 8.7.1</i> )
	<input type="checkbox"/>	<b>This is a Safety Document</b> , when all safety-related information is removed, the Document is not technically sound and complete. ( <i>Regulations ¶ 8.7.2</i> )
	<input type="checkbox"/>	Safety Checklist ( <i>Regulations ¶ 15.3</i> ) is complete and has been included with the Document throughout the balloting process. ( <i>Regulations ¶ 15.1.2</i> )
Motion by/2 <sup>nd</sup> by		Shoji Komatsu (Acteon) / Tsukasa Fukunaga (Shin-Etsu Polymer)
Discussion		None
Vote		6 Y-0 N; Motion passed

## IX. Intellectual Property (IP) Check

**Note: This Letter Ballot may cover all or part of a Standard or Safety Guideline. Regardless of the coverage, this IP check applies to the entire Standard or Safety Guideline\*. See Regulations § 16 for further information.**

X	The TC Chapter meeting chair asked those participating, if they were aware of any patented technology that might be relevant (see <i>Regulations</i> ¶ 16.3.1.1) to the Standard or Safety Guideline; or, any copyrighted items or trademarks that are used/reproduced (see <i>Regulations</i> ¶ 16.4.1.2) in the Standard or Safety Guideline. (Also see, <i>Regulations</i> § 8.8)				
X	The question is NOT answered in affirmative (No potentially material patented technology or use/reproduction of copyrighted items/trademarks is known.)	<b>GO TO SECTION X.</b>			
	The question is answered in affirmative	Is any of the known IPs a patented technology?	Yes, at least one of them is a patented technology	<b>GO TO IX (a) "Patented Technology" subsection</b>	
			No	<b>GO TO IX (b) "Copyright items" subsection</b>	

### IX(a) Patented Technologies subsection

#### IX(a1) Total numbers of Patented Technologies to be dealt with

<b># Fill number</b>	(l) Known Patented Technology that might be relevant to the Standard/Safety Guideline	<b># Fill number</b>	(m) Number of patented technologies first became known to the TC Chapter on or after the day of the issuance of this Letter Ballot	<b>Postpone assessment of such patented technologies to be performed at the next scheduled TC Chapter meeting.</b>
		<b># Fill number</b>	(n) Number of patented technologies first became known to the TC Chapter before the day of the issuance of this Letter Ballot	<b>GO TO IX (a2)</b>

#### IX(a2) Assessment of disclosed patented technologies

<b>Disclosed patented technology #1</b> ( <i>Brief description, e.g., patent title and number</i> ):		<b>Date of Assessment (if different from the date of Letter Ballot adjudication)</b> MM/DD/YYYY			
Is disclosed patented technology #1 found to be "might be material" to the Standard/Safety Guideline?	YES (It is a PMPT)	Is the use of this PMPT technically justified?	YES	<b>PROCEED to assess NEXT one, or if this is the last one, GO TO IX(a3)</b>	
	NO		NO	<b>The Document is failed and returned to the TF</b>	
	NO	No further action is needed for patented technology #1			

*This table is needed for each disclosed patented technology.*

**IX(a3) LOA status check of PMPT of which inclusion assessed to be justified**

LOA Status of PMPT #1					
Has an LOA for this patented technology been received from every owner ?		YES	PROCEED to check NEXT one, or if this is the last one, GO TO IX(b)		
		NO	MOTION		Ask ISC for special permission to publish.
					Quit activity. The Document is failed and returned to the TF
					Wait for LOA PROCEED to check NEXT one, or if this is the last one, GO TO IX(b1)
			Motion by/ 2 <sup>nd</sup> by	Name (Company)/Name (Company)	
			Discussion	XXXX	
			Vote	XX Y-XX N; Motion passed (or failed)	

*This table is needed for each PMPT of which inclusion assessed to be justified.*

**IX(b1) Total numbers of copyrighted items to be dealt with**

# Fill number	(o) Known copyrighted items that are used or reproduced to the Standard/Safety Guideline	o > 0 There is at least one known copy righted items that might be relevant to the Standard/Safety Guideline	GO TO IX (b2)
		o = 0 There is no disclosed copyrighted item	GO TO IX (c)

**IX(b2) Assessment of disclosed copyrighted items**

Disclosed copyrighted item #1 (Brief description of its use in the Document):					
Is disclosed copyrighted item #1 used or reproduced in the Standard/Safety Guideline?		YES	Is the use/reproduction of this copyrighted item technically justified?	YES	PROCEED to assess NEXT one, or if this is the last one, GO TO IX(b3)
				NO	The Document is failed and returned to the TF
		NO	No further action is needed for copyrighted item #1		

*This table is needed for each disclosed copyrighted item.*

**IX(b3) Copyright release status check of copyrighted item of which inclusion assessed to be justified**

Copyright release Status of copyrighted item #1					
Has the copyright release been received from its owner ?.		YES	PROCEED to assess NEXT one, or if this is the last one, GO TO IX(c)		
		NO	≧		Ask ISC for special permission to publish.

			Quit activity.	<b>The Document is failed and returned to the TF</b>
			Wait for copyright release letter	<b>PROCEED to check NEXT one, or if this is the last one, GO TO IX(c)</b>
			<b>Motion by/ 2<sup>nd</sup> by</b>	Name (Company)/Name (Company)
			<b>Discussion</b>	XXXX
			<b>Vote</b>	XX Y-XX N; Motion passed (or failed)

This table is needed for each copyrighted item of which use/reproduction assessed to be justified.

### IX(c) Assessment of disclosed (identified) trademark

Is there any trademark in the Standard/Safety Guideline?		YES	Is every instance of trademark use technically justified?	YES	<b>GO TO IX(d)</b>
				NO	<b>The Document is failed and returned to the TF</b>
		NO	<b>GO TO IX(d)</b>		

### IX(d) IP check completion condition check

The co-chair checks if any Patented Technologies first become known to the TC Chapter on or after the day of the issuance of this Letter Ballot? i.e., m>0 in IX(a1)		YES	<b>Sections IX(a2) and IX(a3) shall be completed and recorded for such patented technologies at next scheduled meeting of the TC Chapter. Until then, the TC Chapter shall NOT go to X (making motion to pass/fail this Document) (see Regulations ¶ 16.4.1.2) Until then this Letter Ballot Review is on hold.</b>
		NO	<b>GO TO X</b>

## X. Action for This Document

Motion		This Document passed TC Chapter review as balloted and will be forwarded to the ISC A&R SC for procedural review.
		This Document passed TC Chapter review with editorial changes and will be forwarded to the ISC A&R SC for procedural review.
	X	This Document passed TC Chapter review with technical changes and with or without editorial changes and will be forwarded to the ISC A&R SC for procedural review. A Ratification Ballot will be issued to verify the technical changes.
		This Document failed TC Chapter review and will be returned to the TF for rework.
		This Document failed TC Chapter review and work will be discontinued.
<b>Motion by/ 2<sup>nd</sup> by</b>		Shoji Komatsu (Acteon) / Tsukasa Fukunaga (Shin-Etsu Polymer)
<b>Discussion</b>		None
<b>Vote</b>		6 Y-0 N
<b>Final Action</b>		X Motion passed
		Motion failed

**Note: If the use of PMPT or copyrighted item is justified by the TC Chapter, LOA or release form must be received before publication can proceed.**